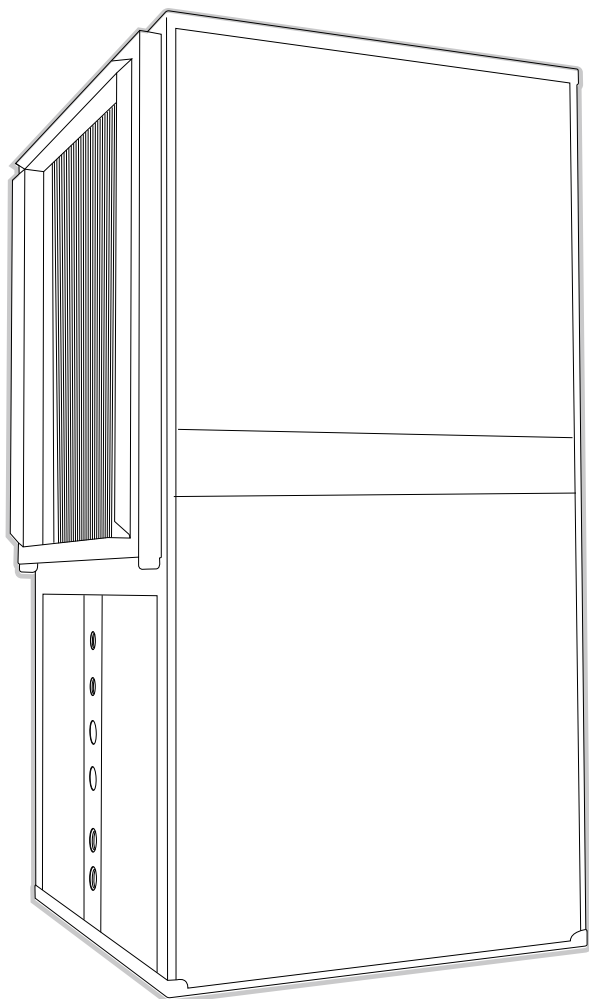


Engineering Data



MODELS CT 024 - 072 VERTICAL PACKAGED SYSTEMS WATER-TO-AIR HEAT PUMPS



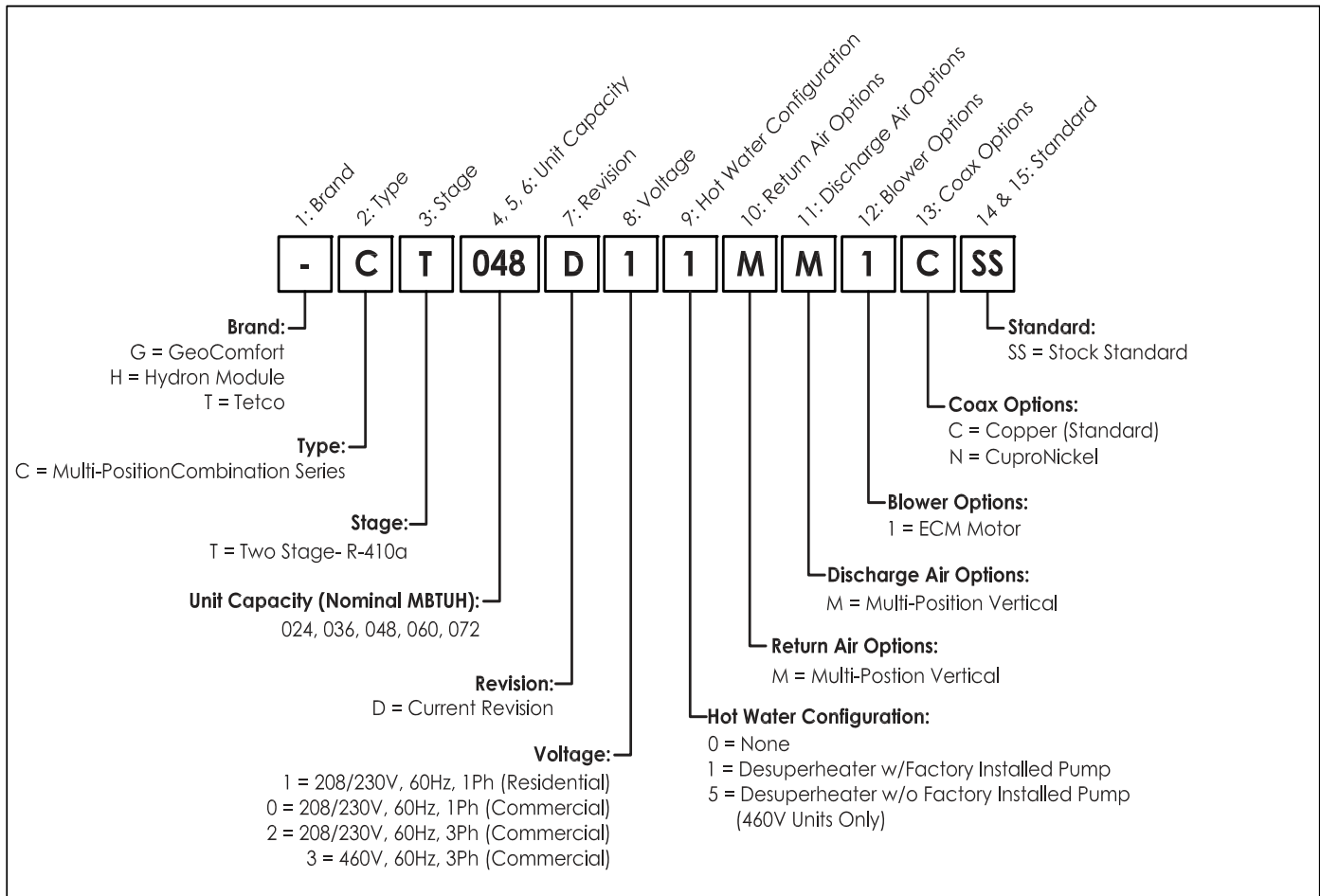
Project Name: _____
Engineer: _____
Contractor: _____
Architect: _____
Date Received: _____
Date Submitted: _____

Unit Tag	Model Number
_____	_____
_____	_____
_____	_____
_____	_____
_____	_____
_____	_____
_____	_____
_____	_____
_____	_____
_____	_____
_____	_____
_____	_____
_____	_____
_____	_____
_____	_____
_____	_____
_____	_____
_____	_____
_____	_____
_____	_____
_____	_____
_____	_____
_____	_____



20D232-04NN
REVISION: A

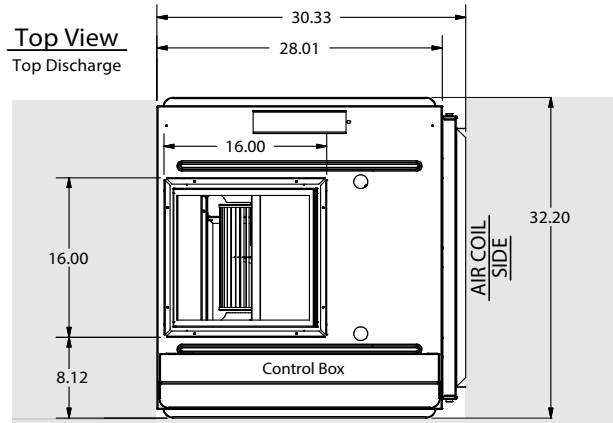
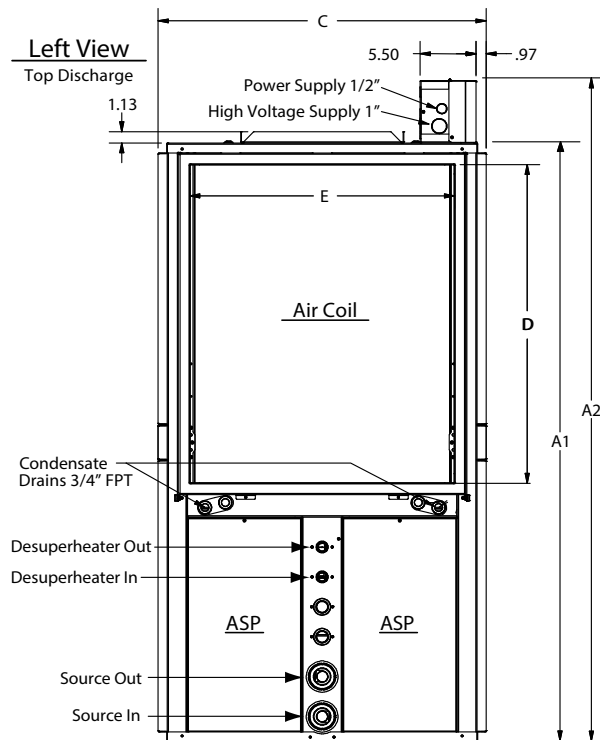
MODEL NOMENCLATURE DECODER:



UNIT ELECTRICAL DATA:

Model	Voltage Code	60Hz Power		Compressor		ECM Fan Motor FLA	HWG Pump FLA	Ext Loop Pump FLA*	Total Unit FLA	Min Circuit AMPS	Max Fuse HACR	Min AWG	Max Ft
		Volts	Phase	LRA	RLA								
024	1	208/230	1	58.3	11.7	3.9	0.5	4.0	20.1	23.0	35	12	49
	0	208/230	1	58.3	11.7	3.9	N/A	N/A	15.6	18.5	30	14	41
	2	208/230	3	55.4	6.5	3.9	N/A	N/A	10.4	12.0	15	14	62
	3	460	3	28.0	3.5	3.9	N/A	N/A	7.4	8.4	10	14	87
036	1	208/230	1	83.0	15.3	3.9	0.5	4.0	23.7	27.5	40	10	70
	0	208/230	1	83.0	15.3	3.9	N/A	N/A	19.2	23.0	35	12	52
	2	208/230	3	73.0	11.6	3.9	N/A	N/A	15.5	18.4	30	14	41
	3	460	3	38.0	5.7	3.9	N/A	N/A	9.6	11.0	15	14	67
048	1	208/230	1	104.0	21.2	5.2	0.5	5.5	32.4	37.7	50	8	79
	0	208/230	1	104.0	21.2	5.2	N/A	N/A	26.4	31.7	50	8	97
	2	208/230	3	83.1	14.0	5.2	N/A	N/A	19.2	22.7	35	12	52
	3	460	3	41.0	6.4	5.2	N/A	N/A	11.6	13.2	20	14	55
060	1	208/230	1	152.9	27.1	6.9	0.5	5.5	40.0	46.8	70	6	102
	0	208/230	1	152.9	27.1	6.9	N/A	N/A	34.0	40.8	60	6	120
	2	208/230	3	110.0	16.5	6.9	N/A	N/A	23.4	27.5	40	10	71
	3	460	3	52.0	7.2	6.9	N/A	N/A	14.1	15.9	20	14	45
072	1	208/230	1	179.2	29.7	6.9	0.5	5.5	42.6	50.0	80	6	95
	0	208/230	1	179.2	29.7	6.9	N/A	N/A	36.6	44.0	70	6	111
	2	208/230	3	136.0	17.6	6.9	N/A	N/A	24.5	28.9	45	10	68
	3	460	3	66.1	8.5	6.9	N/A	N/A	15.4	17.5	25	14	41

DIMENSIONAL DATA:



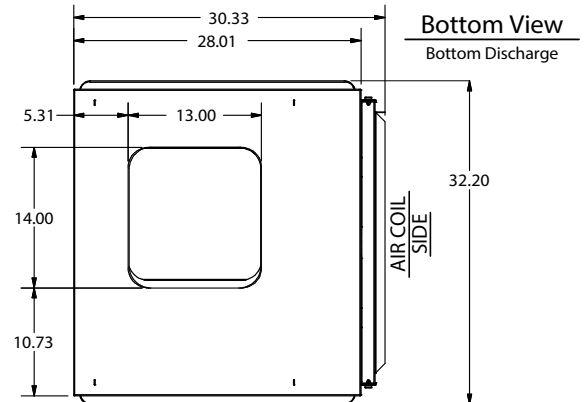
ENERTECH RECOMMENDS A MINIMUM OF A TWO (2) FOOT SERVICE AND INSTALLATION AREA AS INDICATED BY THE SHADED AREA.

DIMENSIONAL DATA TABLE:

Model SIZE		024 - 048	060 - 072
Dimensional Data without Control Box	Height (A1)	56.1	60.1
	Width (B)	28.1	28.1
	Depth (C)	32.2	32.2
Dimensional Data with Control Box	Height (A2)	62.5	66.5
Supply Air (Top Discharge)	Width	16.0	16.0
	Depth	16.0	16.0
Supply Air (Bottom Discharge)	Width	13.0	13.0
	Depth	14.0	14.0
Return Air	Width (E)	26.0	26.0
	Height (D)	28.0	32.0

Notes:

All Source water connections are 1" FPT
 All Desuperheater connections are 3/4" FPT
 All electrical knockouts are sized for 1/2", 3/4" OR 1" conduit
 All measurements are in inches.
 Additional details available in the EDIM.



Unit Physical Data:

MODEL	024	036	048	060	072
COMPRESSOR TYPE	Two Stage Unloading Scroll				
Refrigerant Type	R 410-A				
Refrigerant Charge	48	68	63	84	86
Heat Exchanger (Source)	Coaxial Copper/Steel (tube in tube)				
Source Option	Coaxial Cupro-Nickel/Steel				
Heat Exchanger (Air Coil)	Aluminum Micro-Channel				
Face Area (Sq. Ft.)	5.55	5.55	5.55	6.17	6.17
Dimensions (in.)	31.8 x 21.5 x 1.0			35.9 x 24.7 x 1.26	
Number Of Rows	N/A - Micro-Channel Coil				
Unit Weight (nominal) - lbs	395	400	450	455	460

Pressure Drop (PSIG):

Model	024	036	048	060	072
GPM Water Flow	6.0	8.0	10.0	11.3	13.5
Source Water Pressure Drop	1.6	2.4	3.9	4.9	5.2



www.enertechgeo.com

Greenville, IL - Mitchell, SD
www.enertechgeo.com
info@enertechgeo.com



Conforms to
UL Std 1995
Certified to
CAN/CSA Std
C22.2 No. 236



Rev Tab

Enertech Global is continually working to improve its products. As a result, the pricing, design and specifications of each product may change without notice and may not be as described herein. For the most up-to-date information, please visit our website, or contact our Customer Service department at info@enertechgeo.com. Statements and other information contained herein are not express warranties and do not form the basis of any bargain between the parties, but are merely Enertech Global's opinion or commendation of its products.

Enertech Global, LLC

150409G